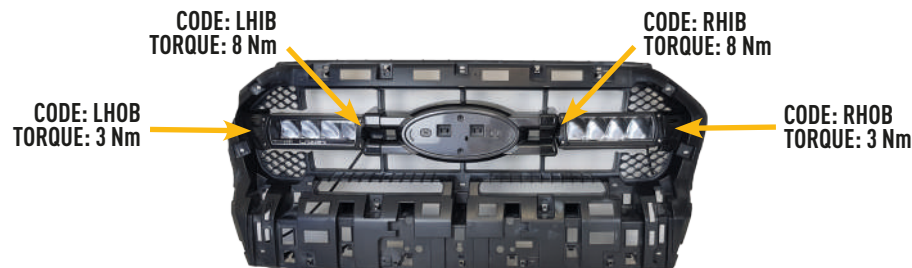
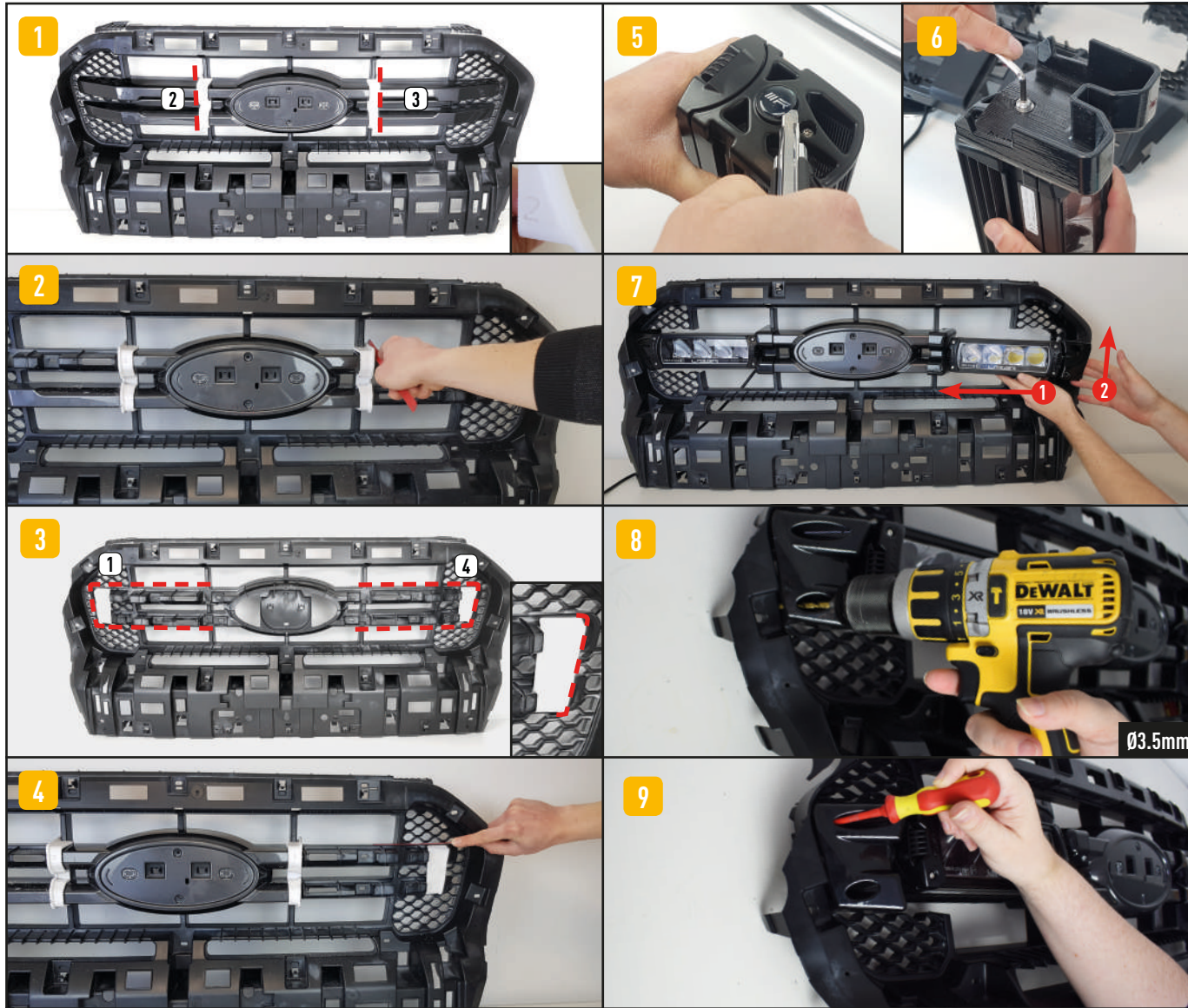
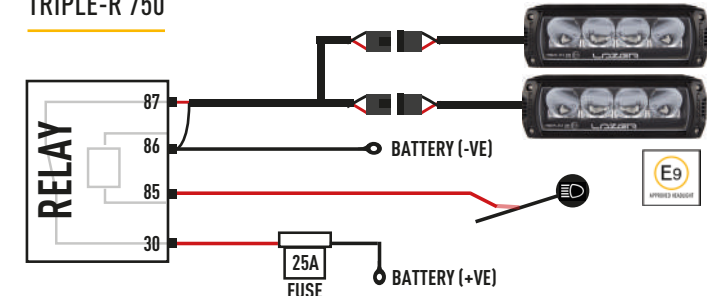


INSTALLATION (should be completed with the grille left on the vehicle)



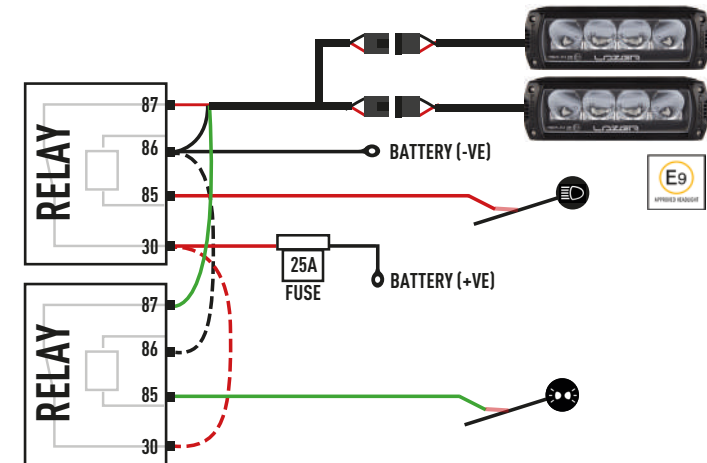
ELECTRICAL CONNECTION | ELEKTRISCHER ANSCHLUSS BRANCHEMENT ÉLECTRIQUE | CONEXIÓN ELÉCTRICA

TRIPLE-R 750



EN - ALSO AVAILABLE WITH SWITCH
DE - AUCH VERFÜGBAR MIT SCHALTER
FR - AUSSI DISPONIBLE AVEC INTERRUPTEUR
ES - TAMBIÉN DISPONIBLE CON INTERRUPTOR

TRIPLE-R 750 WITH POSITION LIGHT



CAN'T FIND A HIGH BEAM 12V SIGNAL?

For vehicles that do not produce a constant 12v signal from the back of the headlight, these will require a CANbus interface. Please see our YouTube channel, or scan the QR code opposite, for more information regarding install of a CANbus interface.

