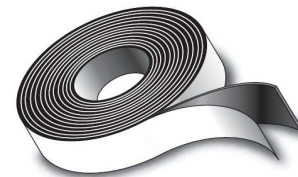
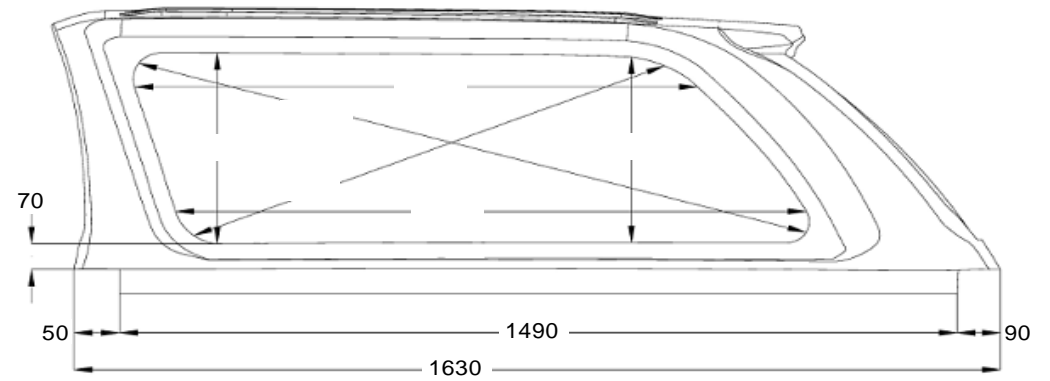
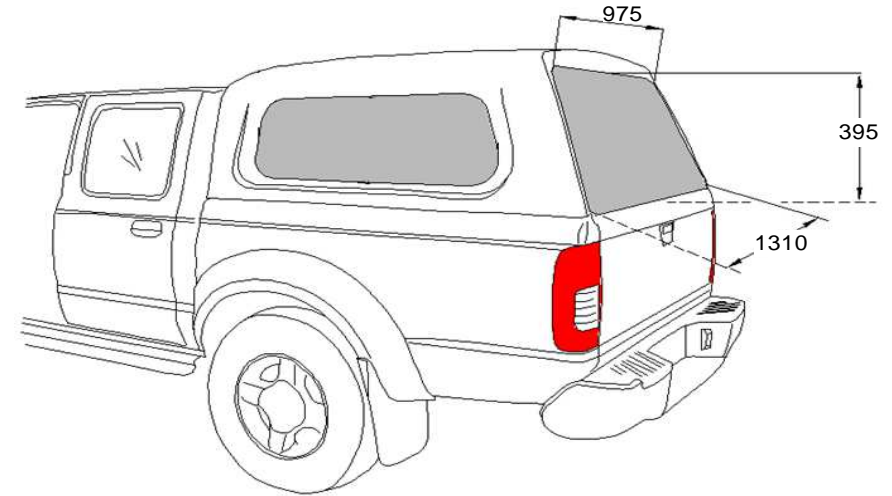


Net weight: 66,00 kg  
 Gross weight: 80,00 kg  
 Volume: 2,26 m<sup>3</sup>



10 X 40 X 10000 GKS ECONOMY - 4,5 m